

# SINUSOIDAL OUTPUT FILTER FOR VDF



Serie  
LC

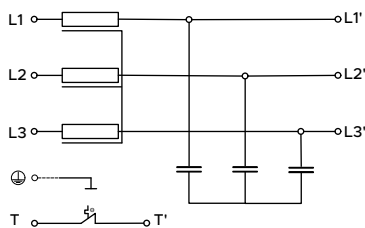
Three-phase sinusoidal voltage filter for frequency inverter outputs.



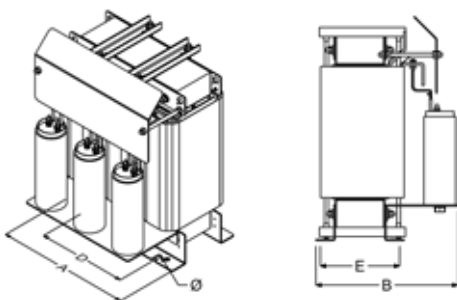
## Advantages

- Restore the sinusoidal waveform of the voltage at the output of the converter.
- Reduces dv/dt voltage spikes and overvoltages.
- Increase motor lifespan by reducing motor overheating and eddy current losses.

## Electrical diagram



## Dimensions



Reference	Losses	Dimensions (mm)						Weight
		A	B	C	D	E	Ø	
LC125	500 W	300	272	379	200	160	11	68 kg

## Technical specifications

Reference	LC125
Power rating	55 kW 75CV
Nominal Voltage	400 ± 20V
Nominal Current	125 A
Frequency	0 ÷ 70Hz
Commutation frequency	0 ÷ 8 kHz
Voltage distortion THD-U	≈ 8%
Admissible overload	Permanent 1.07 I <sub>N</sub> Transitory 1.5 I <sub>N</sub>
Ambient temperature	50 °C
Insulation class	H (180 °C)
Protection degree	IP00
Safety class	Class I
Test voltage	3 kV
Standard	IEC/UNE-EN 61558-2-20